



Angus Measurement PE100 Board

Description:

The PE100 card is designed to bring in the meter pulses (10,000 ppb) from the Micro Motion meter and scale the pulse outputs from the card to 10, 1, .1, and .01 ppb, depending on the setting of the 4 position dip switch. These pulse outputs can be accessed thru the Normally open contacts of relays 1 and 2 and can be used to pulse sample solenoids, mechanical counters etc. These contact outputs are rated at 10A 240 VAC and 10A 30 VDC. In addition there is one low power dc (transistor open collector) output that can be used to actuate an external relay or feed to an input on a PLC, RTU or similar equipment.

In addition the PE100 card was designed to provide optically isolated amplified meter pulses for meter proving purposes. There are 2 three prong connectors which are used for this purpose and were designed to be connected with a standard meter proving PIC connector.

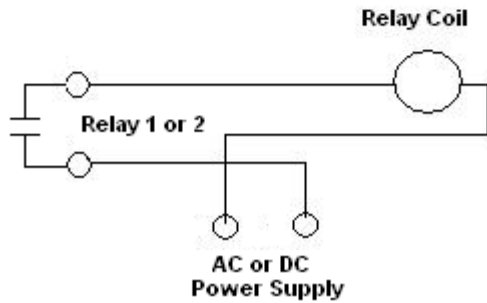
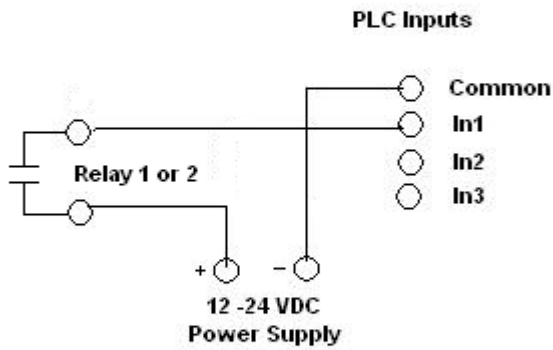
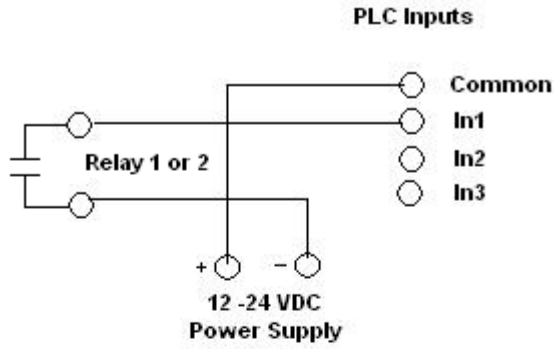
Also in addition there is 1 three prong connector that makes available the raw pulse output from the Micro Motion meter. This output can be used to feed the pulses to an external counter or any other application where meter raw counts are desired.

Terminals:

- 1 – 12 to 24 Volts DC+ power to the board
- 2 - 12 to 24 Volts DC- power to the board
- 3 – Ground Connection
- 4 – Relay 1 Normally Open Contact
- 5 – Relay 1 Normally Open Contact
- 6 – Relay 2 Normally Open Contact
- 7 – Relay 2 Normally Open Contact
- 8 – Transistor output +
- 9 – Transistor output-
- 10 – No Connection
- 11 – Micro Motion meter pulse input +
- 12 – Micro Motion meter pulse input -

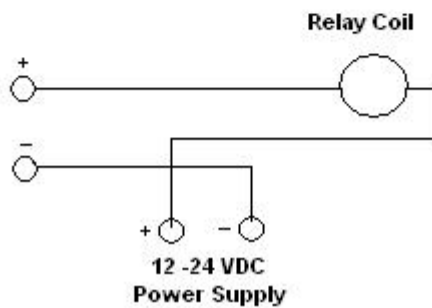
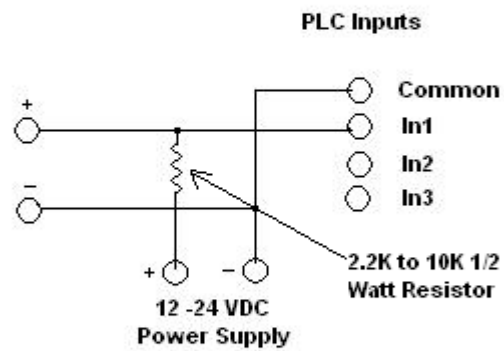
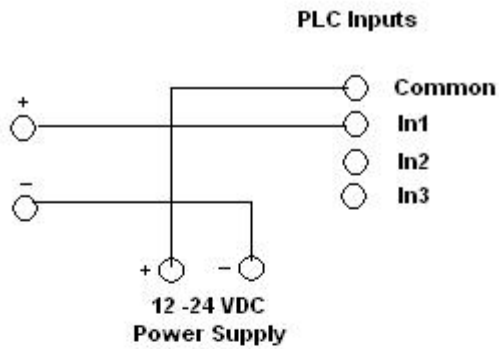


Relay Output Terminals 4-5 and 6-7 Connection Diagram



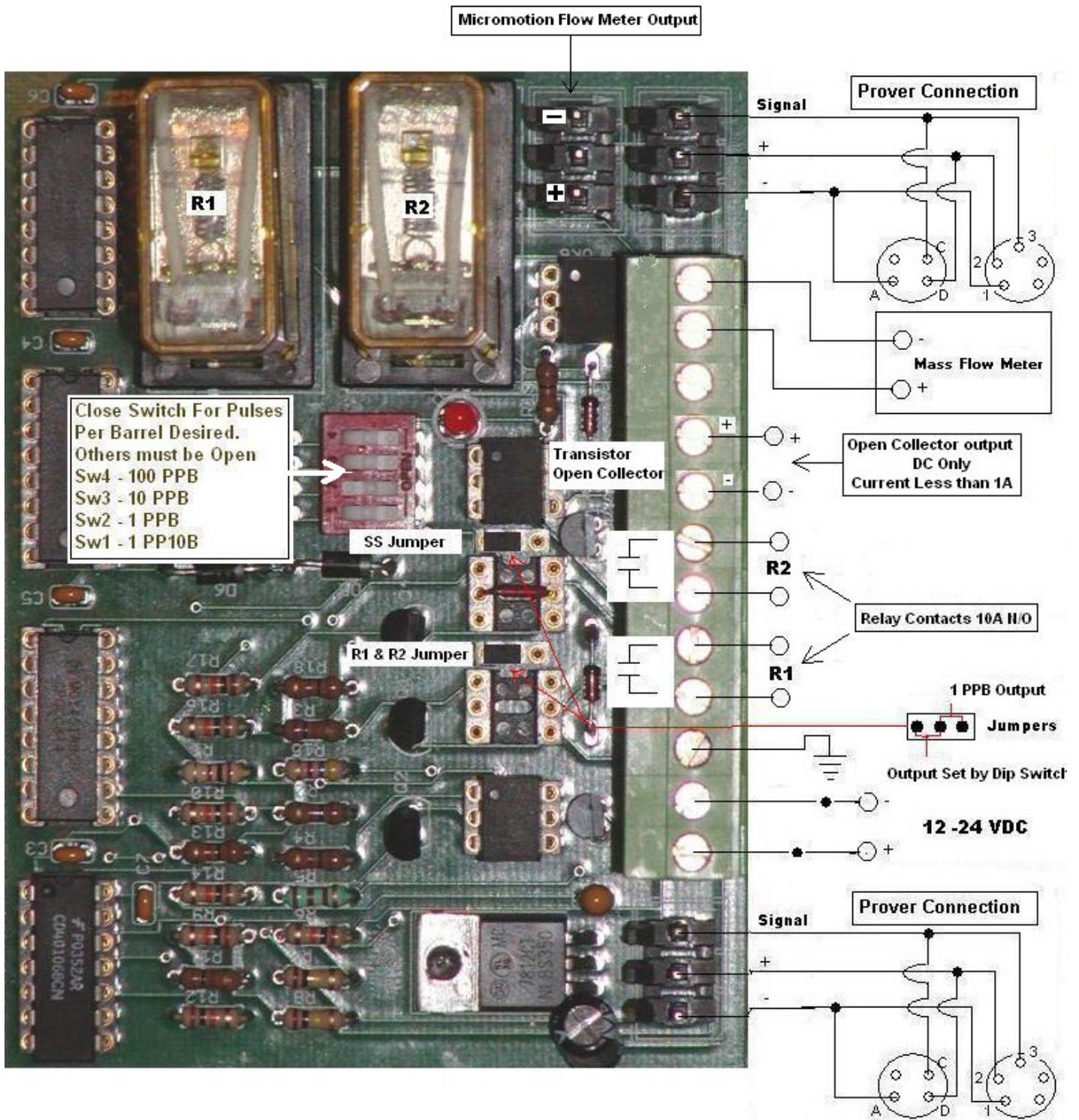


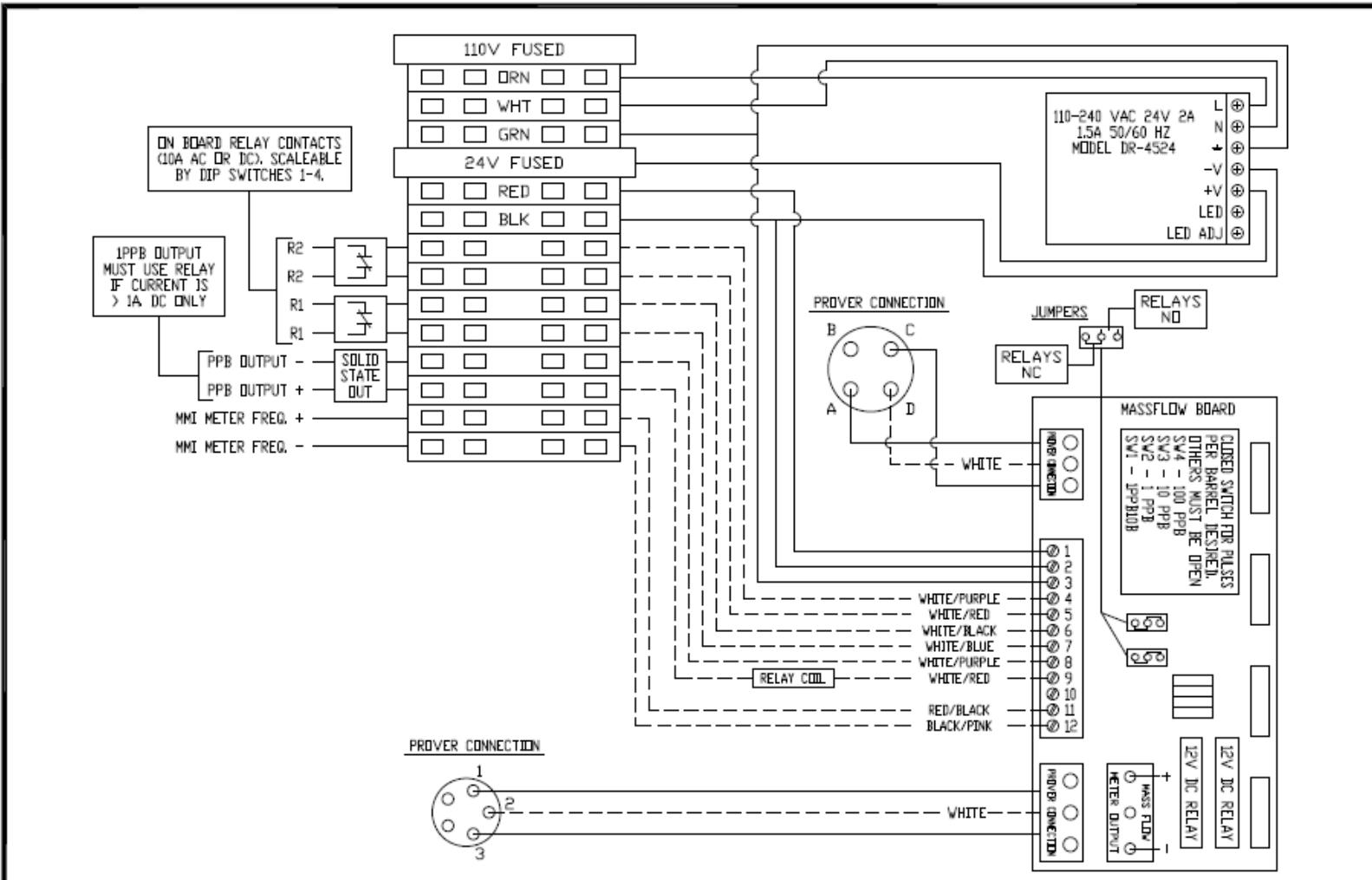
Transistor Output Terminals 8-9 Connection Diagram





PE100 Board Connection Diagram





THIS DRAWING IS THE PROPERTY OF ANGUS MEASUREMENT SERVICES. IN CONSIDERATION FOR THE USE OF THIS DRAWING, USER AGREES IT SHALL BE TREATED AS CONFIDENTIAL INFORMATION, THAT IT SHALL BE RETURNED UPON REQUEST AND ALL CONTENTS THEREOF SHALL NOT BE DISCLOSED, REPRODUCED, COPIED OR DEPOSED OF. IT SHALL BE USED ONLY FOR THE PURPOSE FOR WHICH IT IS FURNISHED OR FOR WHICH WRITTEN PERMISSION IS GRANTED.

REV.	DATE	DESCRIPTION	BY	APP'D	CUSTOMER:		PROJECT TITLE:				
0	9-22-14	ISSUED FOR CONSTRUCTION	RCM	DHB	ANGUS MEASUREMENT SERVICES		AMS STD PE-100 WIRING DIAGRAM ODESSA, TEXAS				
					P.O. NO: N/A	JOB NO.:					
						N/A					
					DATE	DRAWN BY:	CHECKED BY:	PROJ. MGR.	DRAWING NO.:	DRAWING SCALE:	REVISION:
					9-22-14	RCM	DHB	DA	A-PE10-04-01	NONE	0

ANGUS
 MEASUREMENT SERVICES
 3800 NW LOOP 338
 ODESSA, TX 79764
 PH: (432) 332-7200
 www.angusmeasurement.com